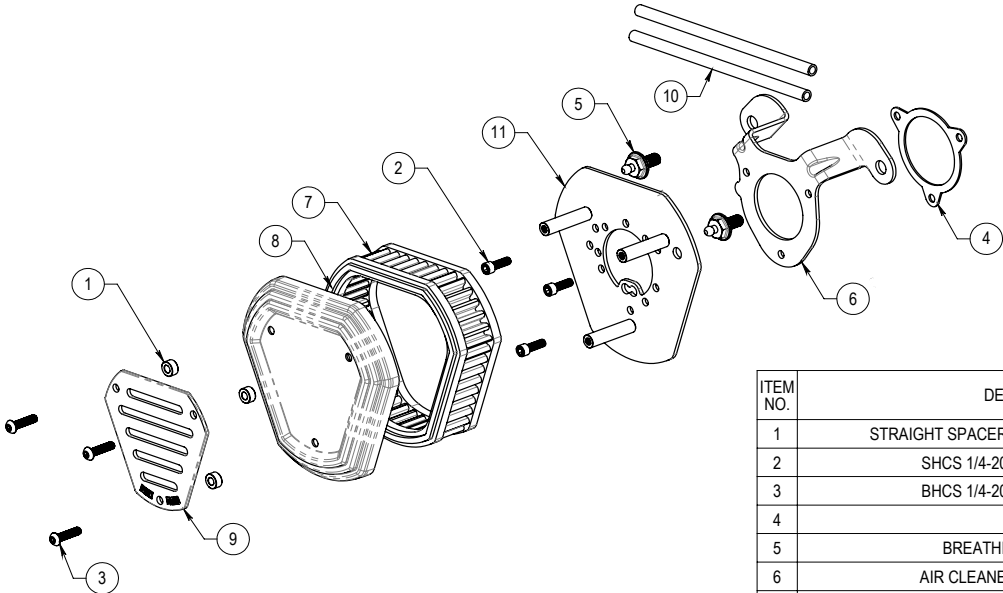




Installation Instructions BURLY STACKER AIR CLEANER

Kit Parts Diagram



ITEM NO.	DESCRIPTION	QTY.
1	STRAIGHT SPACER 1/4 ID X 1/2 OD X 1/4 LONG	3
2	SHCS 1/4-20, STAINLESS STEEL	3
3	BHCS 1/4-20, STAINLESS STEEL	3
4	GASKET	1
5	BREATHER BOLT FITTING	2
6	AIR CLEANER MOUNT BRACKET	1
7	AIR FILTER, BURLY HEX AIR CLEANER	1
8	OUTER COVER, BURLY HEX AIR CLEANER	1
9	FACE PLATE, SLOTTED, BURLY HEX AIR CLEANER	1
10	TUBING, 1/4 ID X 3/8 OD X 8" LONG	2
11	BACKING PLATE WELDED ASSY, BURLY HEX AIR CLEANER	1

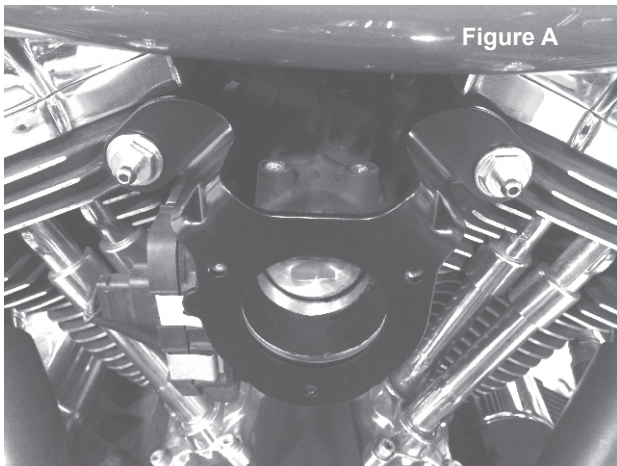
Note: Some parts may vary in appearance depending on application

WARNINGS & ALERTS

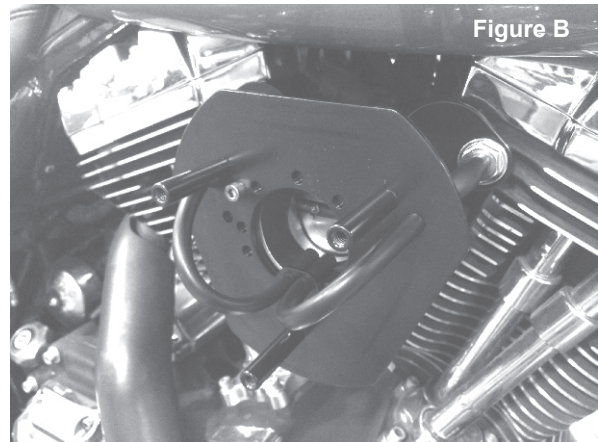
- On carbureted models re-jetting of the carburetor is required for optimum performance and to prevent damage to the motor. If you are unfamiliar with how to do this, seek the advice or services of a trained professional to accomplish this.
- On fuel injected models recalibration of the ECM is required for optimum performance and to prevent damage to the motor. To do this we recommend a Fuel Management System such as the Vance & Hines Fuelpak or equivalent programmer. If you are unfamiliar with how to do this, seek the advice or services of a trained professional to accomplish this.
- Read and follow all instructions to properly install this kit!

INSTALLATION INSTRUCTIONS BURLY HEX AIR CLEANER

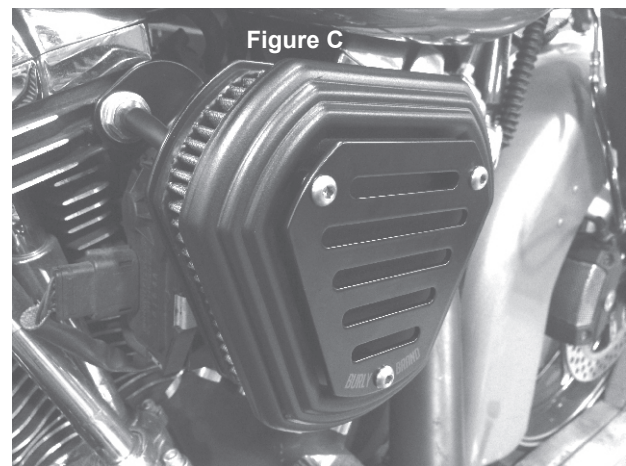
- Read all the instructions carefully before installing this kit on your motorcycle. Use your Harley-Davidson manual as a reference while installing this kit.
 - Turn off your motorcycle and place it securely on a lift or motorcycle jack and remove the existing air cleaner and support brackets per your authorized Harley Davidson service manual.
 - Use medium strength thread locking compound on all fasteners.
- Note: On 1993-1999 Softail, Dyna, & Touring applications, breather bolt threaded adapters are provided. To install, thread a 3/8-16 hex bolt through the insert and install it into the breather hole. Once the insert is completely installed, remove the 3/8-16 bolt and begin the air cleaner installation.**
- Install the gasket (4) and mounting bracket (6) using the supplied breather bolts (5) as shown in FIG A. Torque breather bolt fittings to 84-120 In-lbs.



- Install welded backing plate (11) using the 3 1/4-20 socket cap screws (2) into corresponding throttle body threaded holes as shown in FIG B. Torque 1/4-20 socket cap screws to 40-60 In-lbs.



- Install breather tubes (10) as shown in FIG B. **Cut tubes to desired length depending on your application.** Ensure Tubes are not pinched and inserted 1/2" into the throttle body..
- Install filter element (7), outer cover (8), spacers (1) and face plate using the 3 1/4-20 button head cap screws (3). Make sure that the filter element (7) is seated correctly into the outer cover before tightening the 1/4-20 screws. Torque the 1/4-20 screws to 40-60 In-lbs as shown in FIG C.
- Visually inspect the Air Cleaner and go for a test ride!
- Alternate Faceplate styles in Black and Chrome finishes can be purchased separately.



LIMITED GUARANTEE

We continually inspect and try to improve our products. All parts have been inspected prior to packaging, and our guarantee is limited to replacement of defective parts. This guarantee is in lieu of all guarantees or warranties implied or expressed. Because we cannot control the application of our products, buyer assumes risks for any and all damage caused by himself or third party, by virtue of failure of these parts. We make no warranty as to products distributed by us, expressed or implied, including without limitation any warranties or merchant ability and fitness for a particular purpose. We will however, pass on all warranties made by the manufacturer, who has sole responsibility for performing such warranties. The manufacturer shall solely be responsible for any damage to person or property arising from design, manufacturing and testing of all products, and we accept no liability for such damages. We shall not be liable for indirect or consequential damages.